



Product Model Number

CKO - M 7 1 2 - 0 4 5 0 1 1 - 4 4 0 1

✓ Model Number Definitions

CKO-XXXX-XXXXXX-XXXX

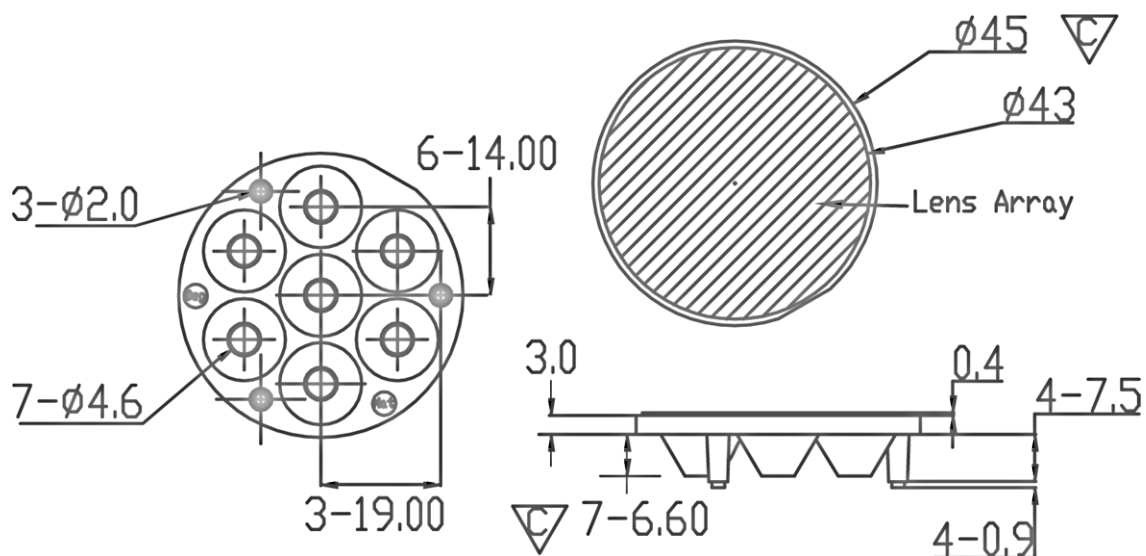


- A. Chun Kuang Optics Corp. Product
- B. Product Type: product abbreviation
Ex:
CH→CoB High Intensity
CC→CoB Compact
CS→Soft Shading for CoB LED
HC→Holder for CoB LED

- C. Identity Code
- D. Lens / Fixture Size
Ex: 075026=Φ75mm / Thickness=26mm (round up)
- C. Serial Numbers

The lens datasheet is applicable for **Nichia LED**, that manufactured by Chun Kuang Optics Corp.

✓ Dimensions (mm) : Φ45 x 10.9



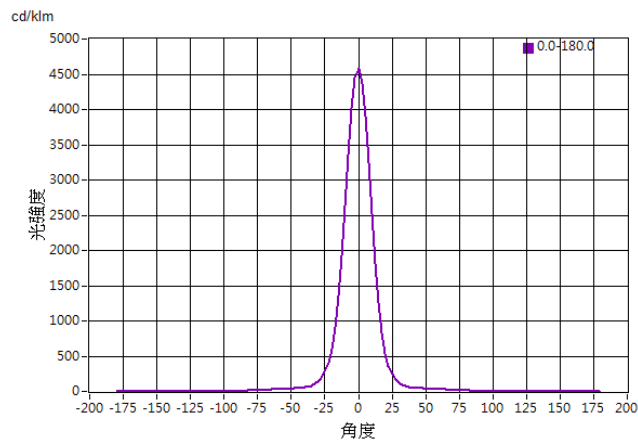
▽:Critical Dimension



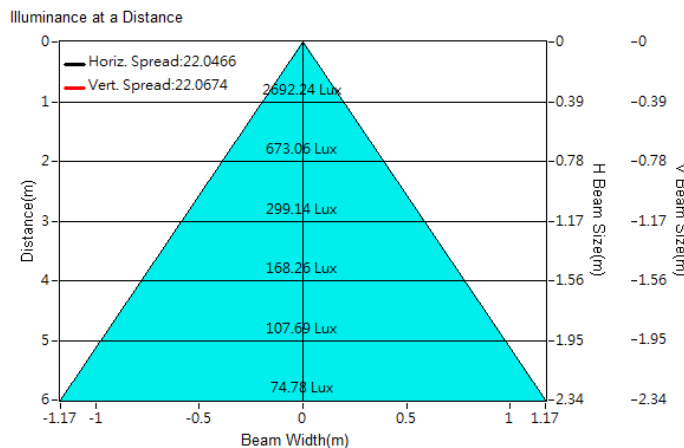
Optical Characteristics

Model Number	CKO-M712-045011-4401	
LED	NF2L 757ART-V1	
LES / LED Size	Φ 3 x 3 mm	
FWHM (D50)	22°	
Field Angle (D10)	43°	
Dimension	Φ =45 mm, Thickness=10.9 mm	
Luminous Flux	588 lm	Measured @ 6.2 W
Material	PC / UL94V0	

cd/klm



Illuminance At Distances

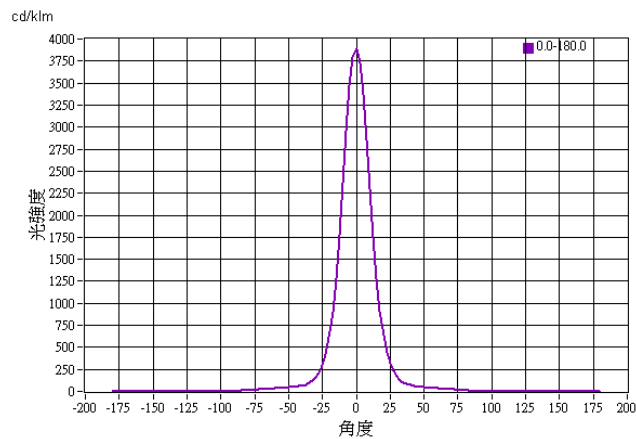




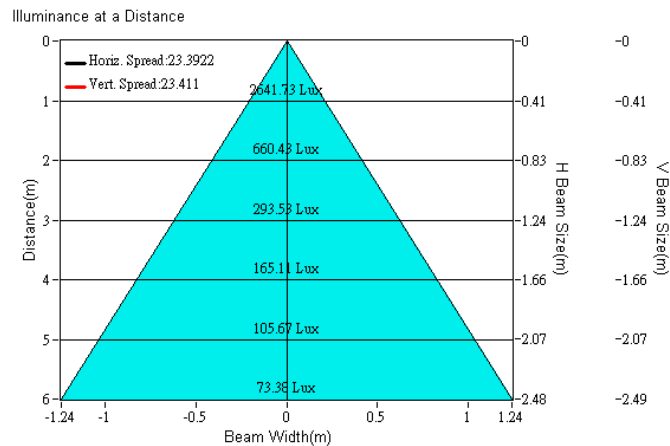
Optical Characteristics

Model Number	CKO-M712-045011-4401	
LED	219 AT	
LES / LED Size	Φ 3.5 x 3.5 mm	
FWHM (D50)	23°	
Field Angle (D10)	47°	
Dimension	Φ =45 mm, Thickness=10.9 mm	
Luminous Flux	679 lm	Measured @ 7.2 W
Material	PC / UL94V0	

cd/klm



Illuminance At Distances

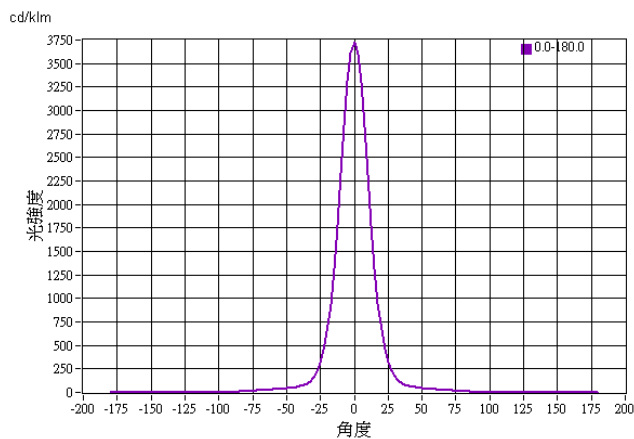




Optical Characteristics

Model Number	CKO-M712-045011-4401	
LED	219 BT	
LES / LED Size	Φ 3.5 x 3.5 mm	
FWHM (D50)	24°	
Field Angle (D10)	48°	
Dimension	Φ =45 mm, Thickness=10.9 mm	
Luminous Flux	677 lm	Measured @ 6.9 W
Material	PC / UL94V0	

cd/klm



Illuminance At Distances

