

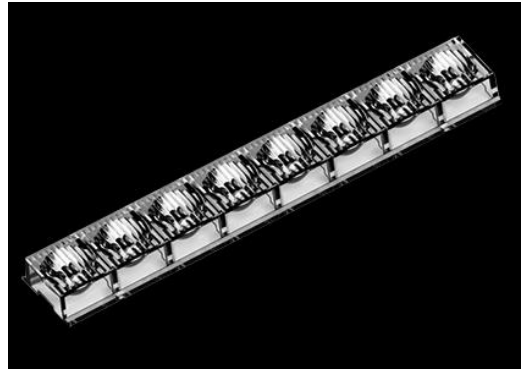


Product Model Number

CKO-M818-120020-1032

✓ Model Number Definitions

CKO-XXXX-XXXXXX-XXXX

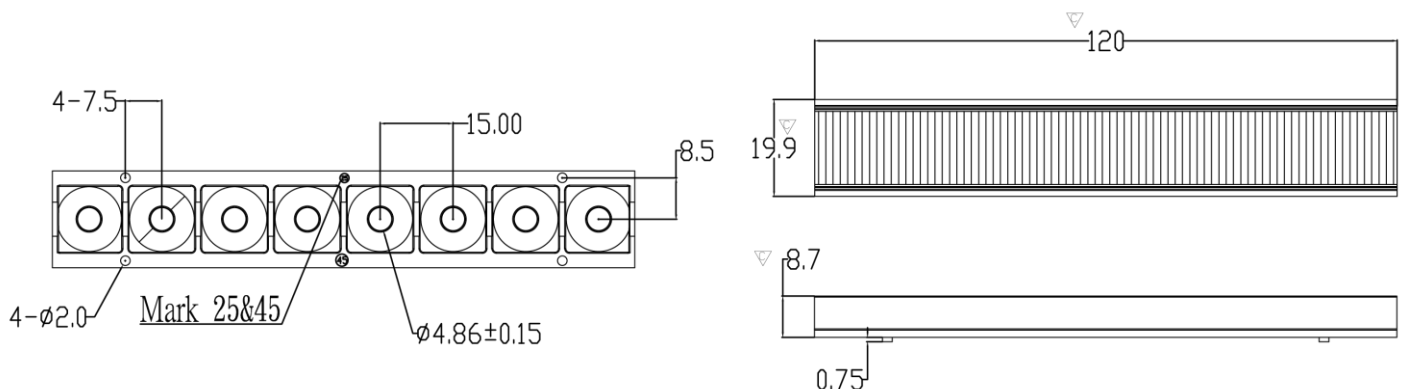


- A. Chun Kuang Optics Corp. Product
- B. Product Type: product abbreviation
Ex:
MX→Multi 33 in 1
SW→Single Wall Washer
CS→Soft Shading for CoB LED
HC→Holder for CoB LED

- C. Identity Code
- D. Lens / Fixture Size
Ex: 075026=Φ75mm / Thickness=26mm (round up)
- E. Serial Numbers

The lens datasheet is applicable for **Osram LED**, that manufactured by Chun Kuang Optics Corp.

✓ Dimensions (mm) : **120 x 19.9 x 8.7**



▽:Critical Dimension



✓ **Optical Characteristics – Angle Performances**

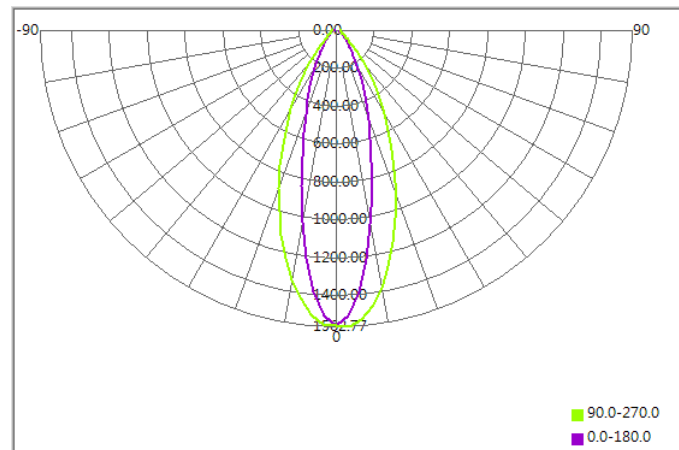
Osram	LED LES (mm)	FWHM (degrees)	Full Angle (degrees)
Duris S5	3.0 x 3.0	28°x 45°	71°x 88°



Optical Characteristics

Model Number	CKO-M818-120020-1032	
LED	Duris S5	
LES / LED Size	3.0 x 3.0 mm	
FWHM (D50)	28° x 45°	
Field Angle (D10)	71° x 88°	
Dimension	wxh =120 x 19.9 mm, Thickness=8.7 mm	
Luminous Flux	631 lm	Measured @ 4.8 W
Material	PC / UL94V2	

cd/klm



Illuminance At Distances

