



Product Model Number

CKO - M 9 1 2 - 0 6 0 0 1 1 - 3 8 0 1

✓ Model Number Definitions

CKO-XXXX-XXXXXX-XXXX

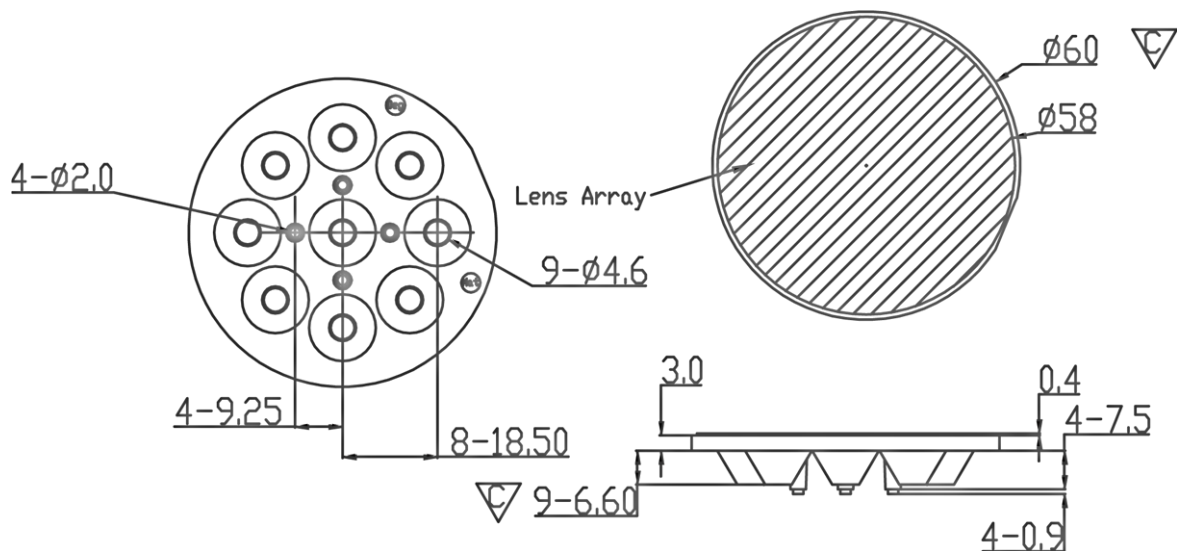


- A. Chun Kuang Optics Corp. Product
- B. Product Type: product abbreviation
Ex:
CH→CoB High Intensity
CC→CoB Compact
CS→Soft Shading for CoB LED
HC→Holder for CoB LED

- C. Identity Code
- D. Lens / Fixture Size
Ex: 075026=Φ75mm / Thickness=26mm (round up)
- C. Serial Numbers

The lens datasheet is applicable for **Osram LED**, that manufactured by Chun Kuang Optics Corp.

✓ Dimensions (mm) : Φ60 x 10.9



▽:Critical Dimension



✓ Optical Characteristics – Angle Performances

Osram	LED LES (mm)	FWHM (degrees)	Field Angle (degrees)
Duris S5	3.0 x 3.0	30°	65°
Oslon Square	3.0 x 3.0	33°	70°
Oslon SSL 80	3.0 x 3.0	32°	68°
Oslon SSL 150	3.0 x 3.0	34°	69°



Optical Characteristics

Model Number	CKO-M912-060011-3801	
LED	Duris S5	
LES / LED Size	Φ 3 x 3 mm	
FWHM (D50)	30°	
Field Angle (D10)	65°	
Dimension	Φ =45 mm, Thickness=10.9 mm	
Luminous Flux	443 lm	Measured @ 4.5 W
Material	PC / UL94V0	

cd/klm

Illuminance At Distances



Optical Characteristics

Model Number	CKO-M912-060011-3801	
LED	Oslon Square	
LES / LED Size	Φ 3 x 3 mm	
FWHM (D50)	33°	
Field Angle (D10)	70°	
Dimension	Φ =45 mm, Thickness=10.9 mm	
Luminous Flux	456 lm	Measured @ 4.5 W
Material	PC / UL94V0	

cd/klm

Illuminance At Distances



Optical Characteristics

Model Number	CKO-M912-060011-3801	
LED	Oslon SSL 80	
LES / LED Size	Φ 3 x 3 mm	
FWHM (D50)	32°	
Field Angle (D10)	68°	
Dimension	Φ =45 mm, Thickness=10.9 mm	
Luminous Flux	460 lm	Measured @ 5.1 W
Material	PC / UL94V0	

cd/klm

Illuminance At Distances



Optical Characteristics

Model Number	CKO-M912-060011-3801	
LED	Oslon SSL 150	
LES / LED Size	Φ 3 x 3 mm	
FWHM (D50)	34°	
Field Angle (D10)	69°	
Dimension	Φ =45 mm, Thickness=10.9 mm	
Luminous Flux	464 lm	Measured @ 5.2 W
Material	PC / UL94V0	

cd/klm

Illuminance At Distances