



Product Model Number

CKO-SA18-025014-0909

✓ Model Number Definitions

CKO-XXXX-XXXXXX-XXXX

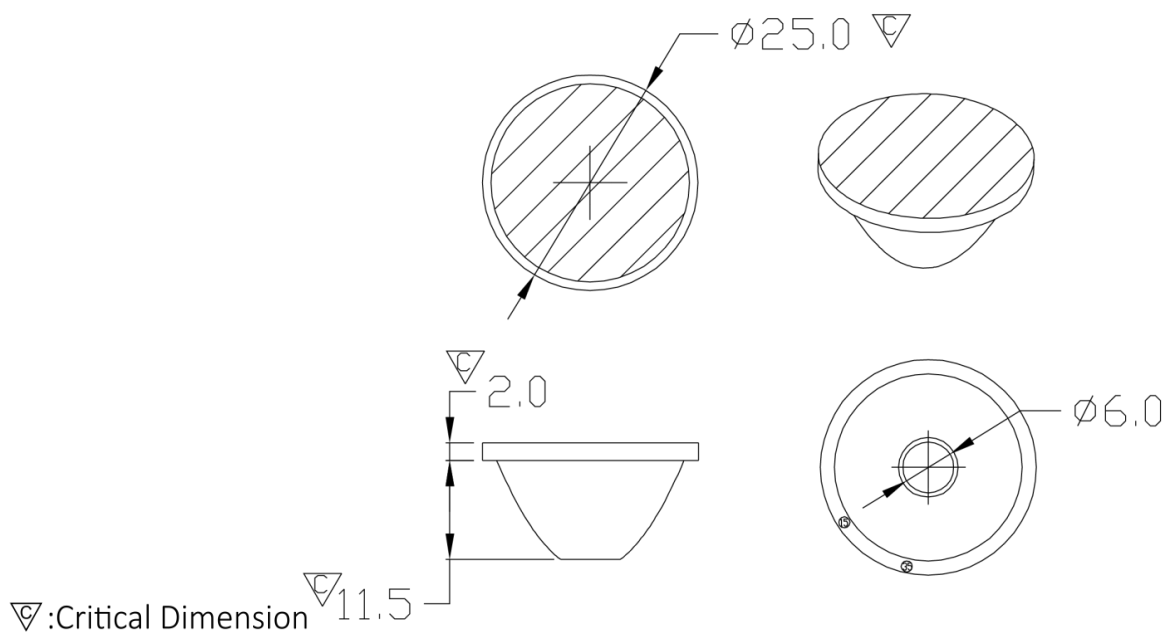


- A. Chun Kuang Optics Corp. Product
- B. Product Type: product abbreviation
Ex:
MX→Multi 33 in 1
SW→Single Wall Washer
CS→Soft Shading for CoB LED
HC→Holder for CoB LED

- C. Identity Code
- D. Lens / Fixture Size
Ex: 025014=Φ25mm / Thickness=13.5mm (round up)
- C. Serial Numbers

The lens datasheet is applicable for **Lumileds LED**, that manufactured by Chun Kuang Optics Corp.

✓ Dimensions (mm) : Φ25x13.5

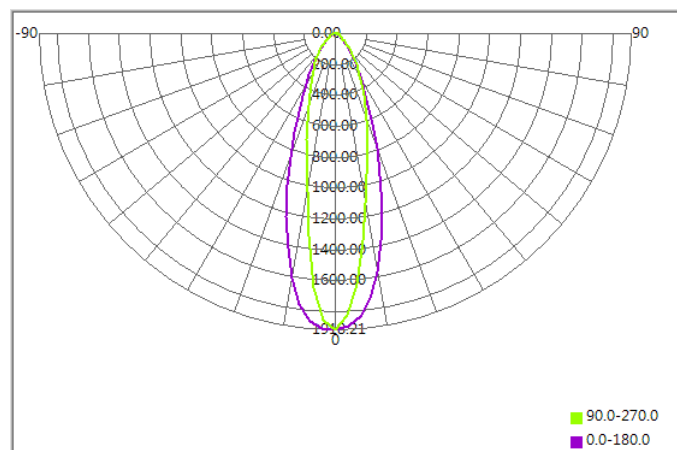




Optical Characteristics

Model Number	CKO-SA18-025014-0909		<p>"H" definition</p> <p>LES CoB</p>
LED	LUXEON 1202 HD		
LES / LED Size	Φ 6.5 mm		
FWHM (D50)	23°x36°		
Field Angle (D10)	77°x77°		
H (distance)	2mm		
Dimension	Φ =25 mm, Thickness=13.5 mm		
Luminous Flux	644 lm	Measured @ 6.9 W	
Material	PC / UL94V2		

cd/klm



Illuminance At Distances

