



## Product Model Number

CKO-SP17-060033-1201

### ✓ Model Number Definitions

**CKO-XXXX-XXXXXX-XXXX**

(A)

(B)

(C)

(D)

(E)

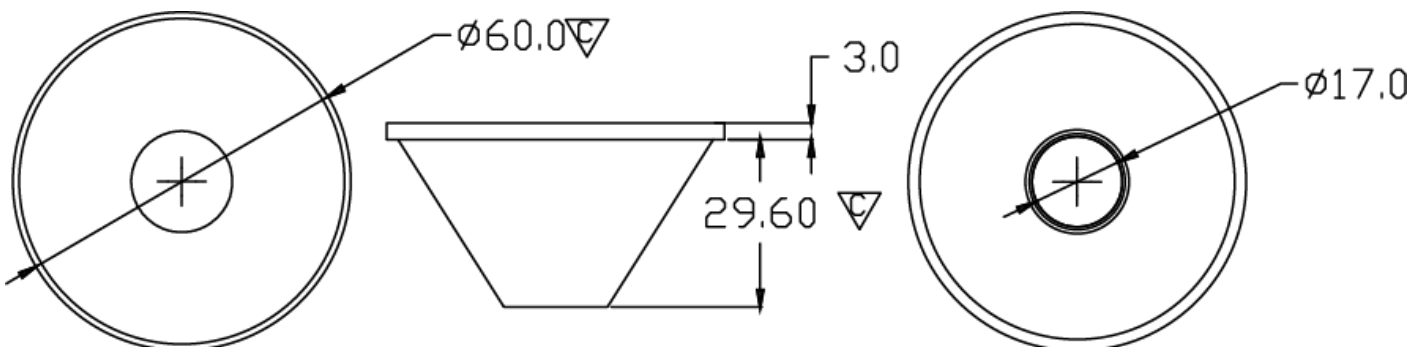


- A. Chun Kuang Optics Corp. Product
- B. Product Type: product abbreviation  
Ex:  
CH→CoB High Intensity  
CC→CoB Compact  
CS→Soft Shading for CoB LED  
HC→Holder for CoB LED

- C. Identity Code
- D. Lens / Fixture Size  
Ex: 075026=Φ75mm / Thickness=26mm (round up)
- E. Serial Numbers

The lens datasheet is applicable for **CREE LED**, that manufactured by Chun Kuang Optics Corp.

### ✓ Dimensions (mm) : Φ60 x 32.6



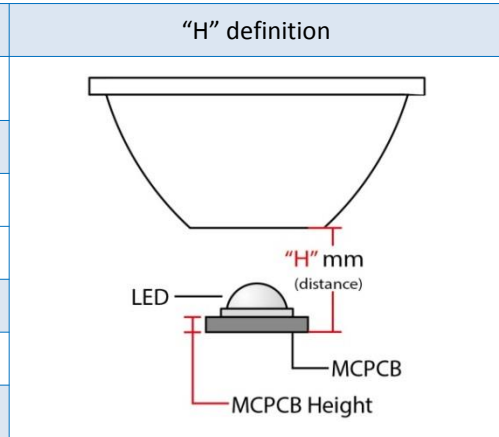
▽:Critical Dimension



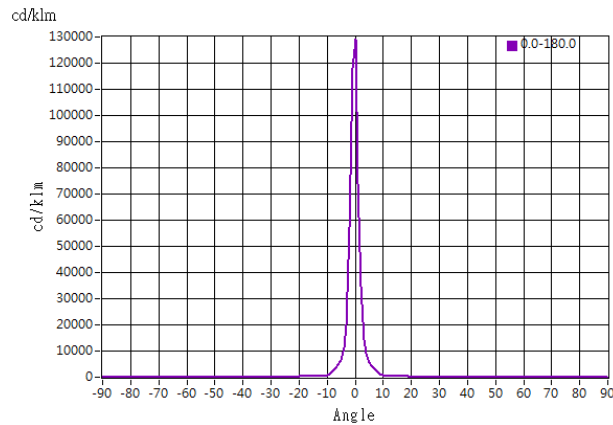


## Optical Characteristics

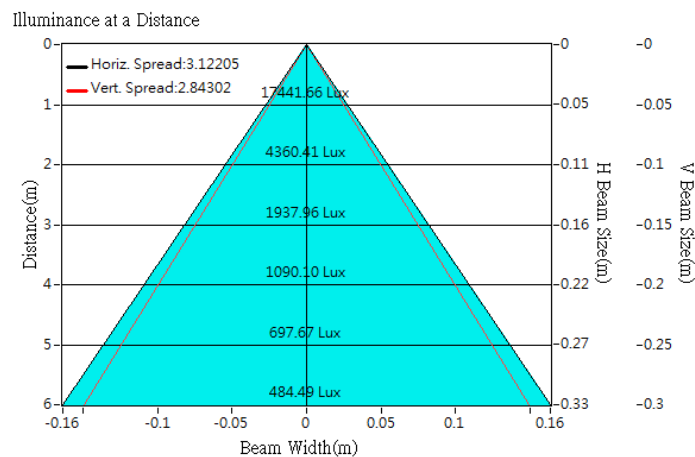
Model Number	CKO-SP17-060033-1201	
LED	<b>XD 16</b>	
LES / LED Size	1.6 x 1.6	
FWHM (D50)	3.1°	
Field Angle (D10)	7°	
Dimension with Holder	Φ =60 mm, Thickness=32.6 mm	
Luminous Flux	135 lm	Measured @ 1.9W
Material	PC / UL94V2	



## cd/klm



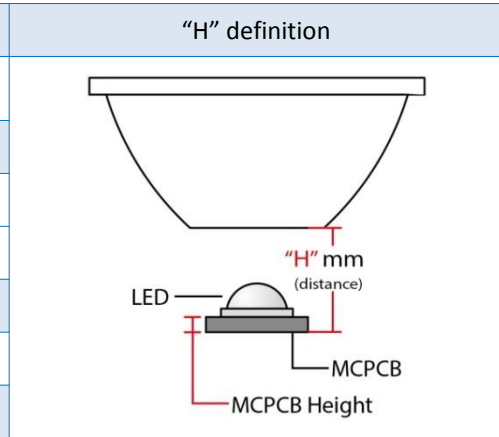
## Illuminance At Distances



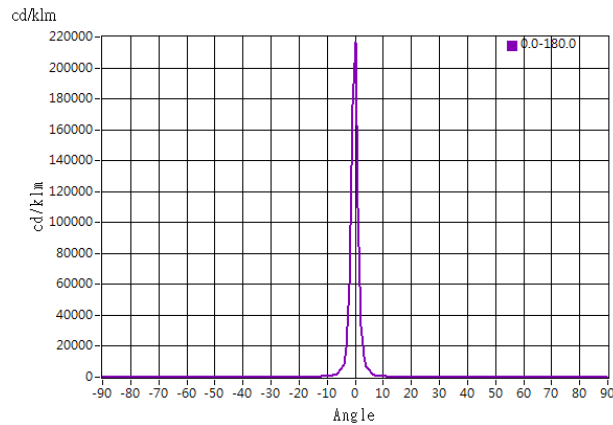


## Optical Characteristics

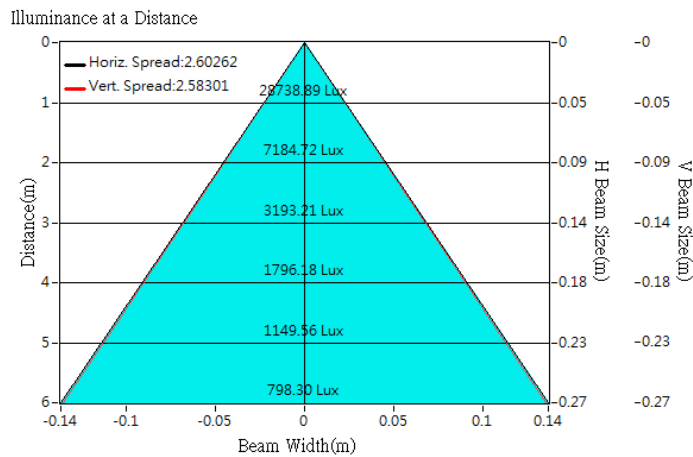
Model Number	CKO-SP17-060033-1201	
LED	<b>XP-E2</b>	
LES / LED Size	3.5 x 3.5	
FWHM (D50)	2.6°	
Field Angle (D10)	5°	
Dimension with Holder	Φ =60 mm, Thickness=32.6 mm	
Luminous Flux	133 lm	Measured @ 1.3W
Material	PC / UL94V2	



## cd/klm



## Illuminance At Distances

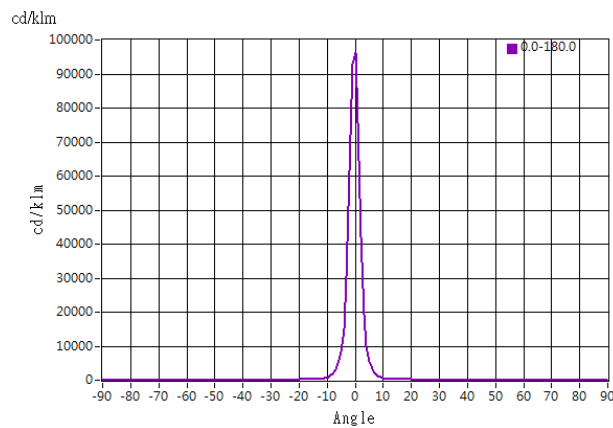




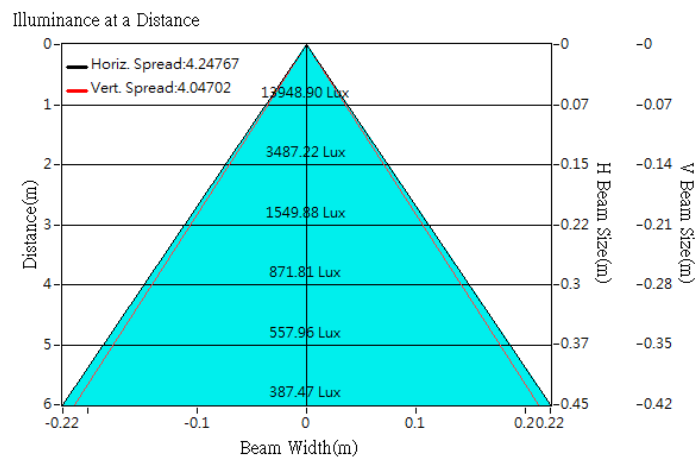
## Optical Characteristics

Model Number	CKO-SP17-060033-1201		<p>"H" definition</p>
LED	<b>XP-G3</b>		
LES / LED Size	3.5 x 3.5		
FWHM (D50)	4.3°		
Field Angle (D10)	8°		
Dimension with Holder	Φ =60 mm, Thickness=32.6 mm		
Luminous Flux	145 lm	Measured @ 1.3W	
Material	PC / UL94V2		

## cd/klm



## Illuminance At Distances

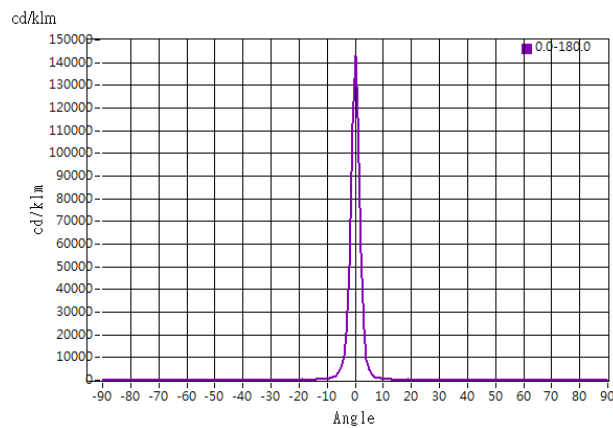




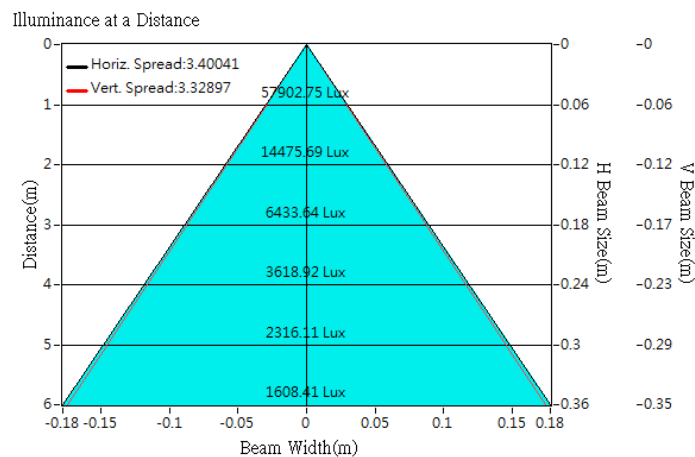
## Optical Characteristics

Model Number	CKO-SP17-060033-1201		<p>"H" definition</p>
LED	<b>XP-L HI</b>		
LES / LED Size	3.5 x 3.5		
FWHM (D50)	3.4°		
Field Angle (D10)	7°		
Dimension with Holder	Φ =60 mm, Thickness=32.6 mm		
Luminous Flux	404 lm	Measured @ 4.6W	
Material	PC / UL94V2		

## cd/klm



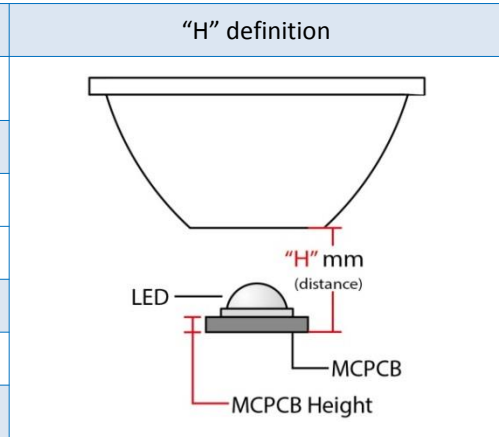
## Illuminance At Distances



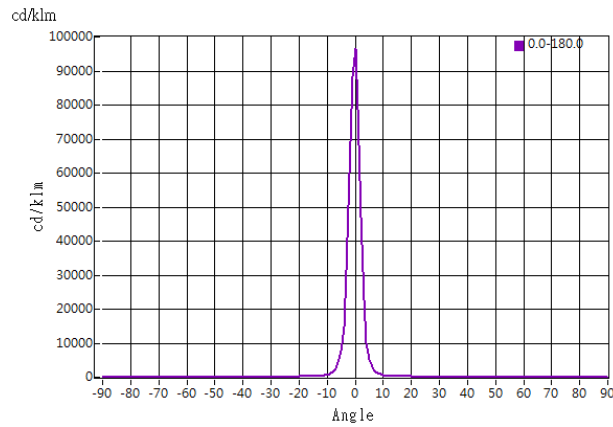


## Optical Characteristics

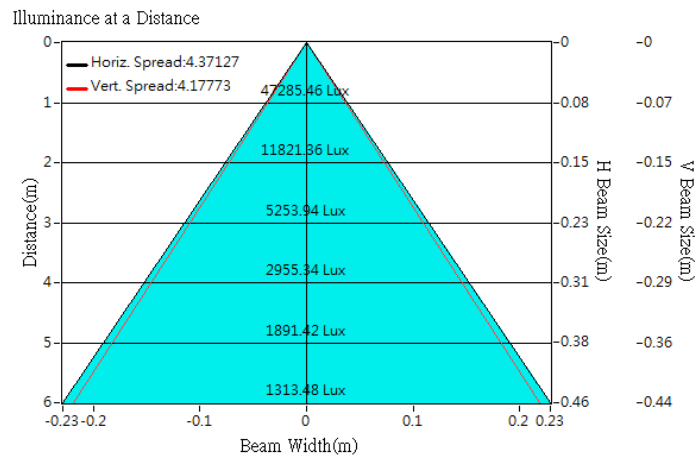
Model Number	CKO-SP17-060033-1201	
LED	<b>XHP35 HI</b>	
LES / LED Size	3.5 x 3.5	
FWHM (D50)	4.4°	
Field Angle (D10)	8°	
Dimension with Holder	Φ =60 mm, Thickness=32.6 mm	
Luminous Flux	490lm	Measured @4.4 W
Material	PC / UL94V2	



## cd/klm



## Illuminance At Distances

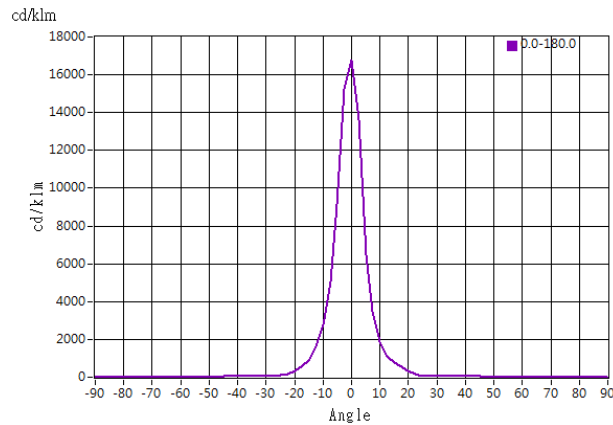




## Optical Characteristics

Model Number	CKO-SP17-060033-1201		<p>"H" definition</p>
LED	<b>XHP 70.2</b>		
LES / LED Size	7.0 x 7.0		
FWHM (D50)	9°		
Field Angle (D10)	23°		
Dimension with Holder	Φ =60 mm, Thickness=32.6 mm		
Luminous Flux	1743 lm	Measured @ 12.8W	
Material	PC / UL94V2		

## cd/klm



## Illuminance At Distances

