



Product Model Number

CKO-SW17-025011-1703

✓ Model Number Definitions

CKO-XXXX-XXXXXX-XXXX

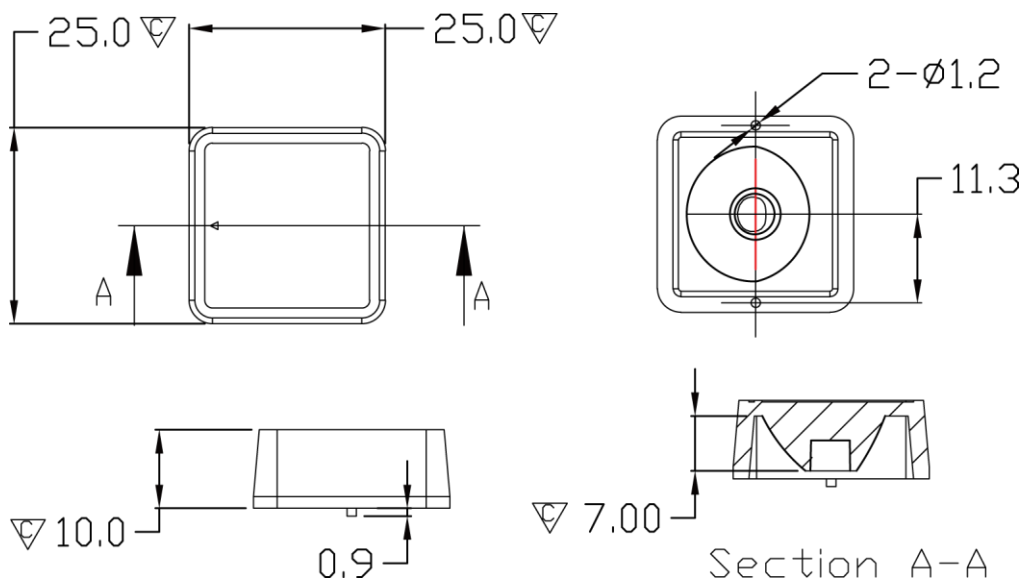


- A. Chun Kuang Optics Corp. Product
- B. Product Type: product abbreviation
Ex:
MX→Multi 33 in 1
SW→Single Wall Washer
CS→Soft Shading for CoB LED
HC→Holder for CoB LED

- C. Identity Code
- D. Lens / Fixture Size
Ex: 075026=Φ75mm / Thickness=26mm (round up)
- E. Serial Numbers

The lens datasheet is applicable for **Cree LED**, that manufactured by Chun Kuang Optics Corp.

✓ Dimensions (mm) : 25x25x10.9



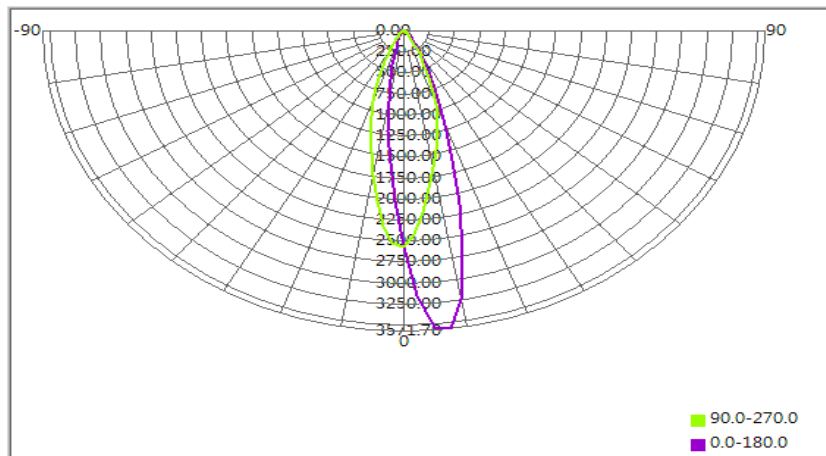
▽:Critical Dimension



Optical Characteristics

Model Number	CKO-SW17-025011-1703	
LED	XP-E2	
LES / LED Size	3.5 x 3.5	
FWHM (D50)	20°x30°	
Tilt Angle	7°	
Dimension	Φ =25x25 mm, Thickness=10.9 mm	
Luminous Flux	134 lm	Measured @ 1.3 W
Material	PC / UL94V2	

cd/klm



Illuminance At Distances

Illuminance at a Distance

