



Product Model Number

CKO-SW17-025011-1703

✓ Model Number Definitions

CKO-XXXX-XXXXXX-XXXX

Ⓐ

Ⓑ

Ⓒ

Ⓓ

Ⓔ

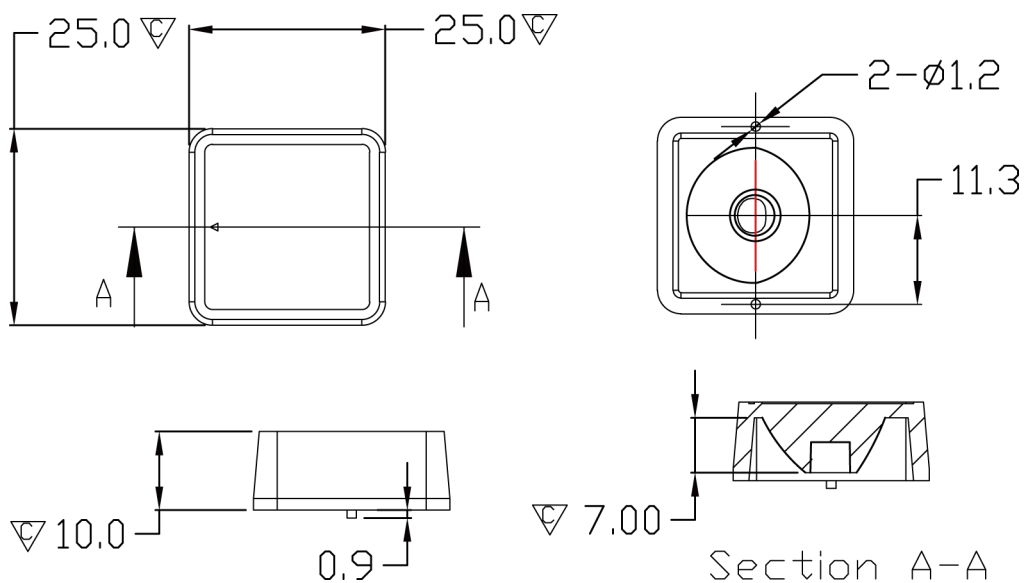


- A. Chun Kuang Optics Corp. Product
- B. Product Type: product abbreviation
Ex:
MX→Multi 33 in 1
SW→Single Wall Washer
CS→Soft Shading for CoB LED
HC→Holder for CoB LED

- C. Identity Code
- D. Lens / Fixture Size
Ex: 075026=Φ75mm / Thickness=26mm (round up)
- E. Serial Numbers

The lens datasheet is applicable for **Osram LED**, that manufactured by Chun Kuang Optics Corp.

✓ Dimensions (mm) : 25x25x10.9



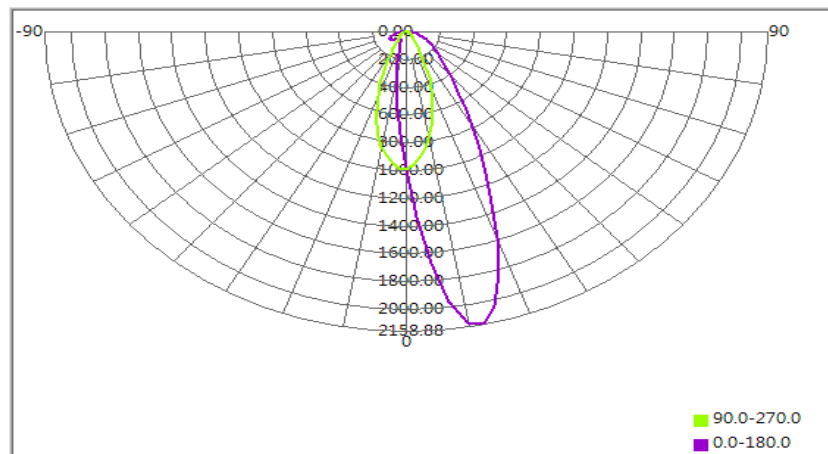
▽:Critical Dimension



Optical Characteristics

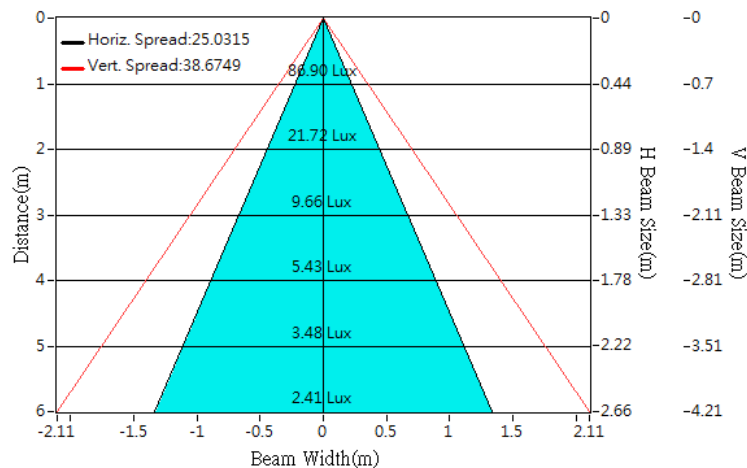
| | | |
|-------------------|--------------------------------|------------------|
| Model Number | CKO-SW17-025011-1703 | |
| LED | SSL 80 | |
| LES / LED Size | 3.0 x 3.0 | |
| FWHM (D50) | 25° | |
| Field Angle (D10) | 39° | |
| Dimension | Φ =25x25 mm, Thickness=10.9 mm | |
| Luminous Flux | 88 lm | Measured @ 1.2 W |
| Material | PC / UL94V2 | |

cd/klm



Illuminance At Distances

Illuminance at a Distance

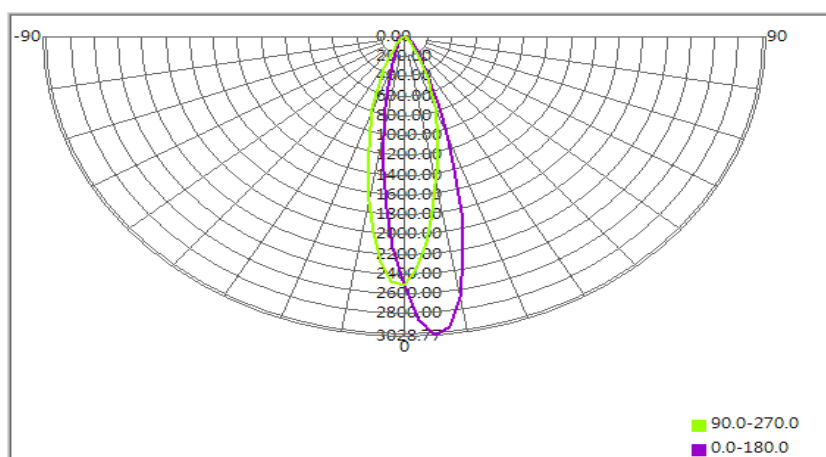




Optical Characteristics

| | | |
|-------------------|--------------------------------|------------------|
| Model Number | CKO-SW17-025011-1703 | |
| LED | Oslon Square | |
| LES / LED Size | 3.0 x 3.0 | |
| FWHM (D50) | 23° | |
| Field Angle (D10) | 27° | |
| Dimension | Φ =25x25 mm, Thickness=10.9 mm | |
| Luminous Flux | 97 lm | Measured @ 1.2 W |
| Material | PC / UL94V2 | |

cd/klm



Illuminance At Distances

