



## Product Model Number

**CKO-SW17-025011-1705**

### ✓ Model Number Definitions

**CKO-XXXX-XXXXXX-XXXX**

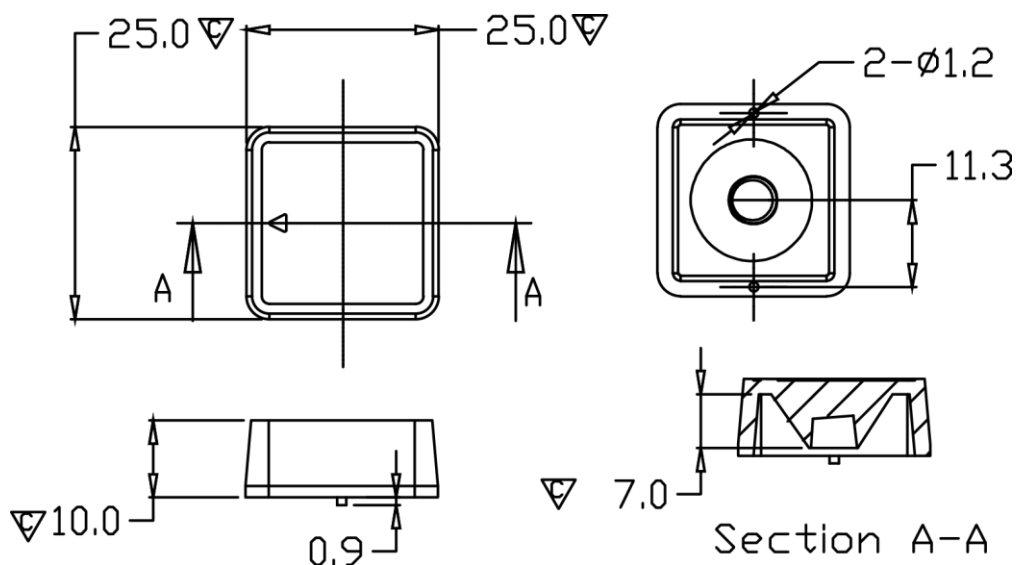


- A. Chun Kuang Optics Corp. Product
- B. Product Type: product abbreviation  
Ex:  
MX→Multi 33 in 1  
SW→Single Wall Washer  
CS→Soft Shading for CoB LED  
HC→Holder for CoB LED

- C. Identity Code
- D. Lens / Fixture Size  
Ex: 075026=Φ75mm / Thickness=26mm (round up)
- E. Serial Numbers

The lens datasheet is applicable for **Osram LED**, that manufactured by Chun Kuang Optics Corp.

### ✓ Dimensions (mm) : **25x25x10.9**



▽:Critical Dimension



✓ Optical Characteristics – Angle Performances

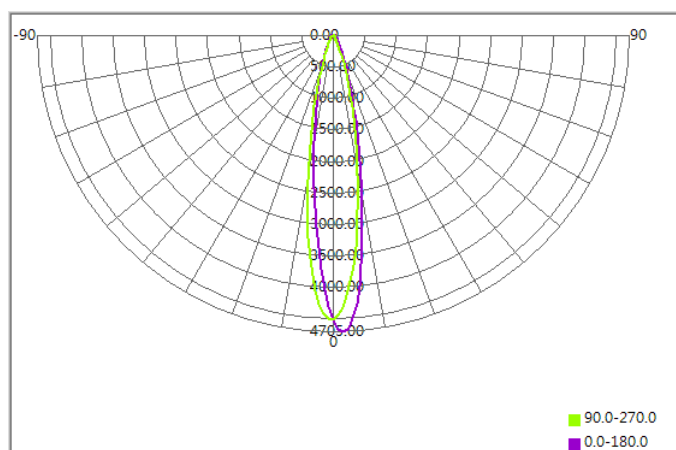
Osram	LED LES (mm)	FWHM (degrees)	Tilt Angle
SSL 80	3.0 x 3.0	18°x20°	2°
Oslon Square	3.0 x 3.0	17°x18°	2°



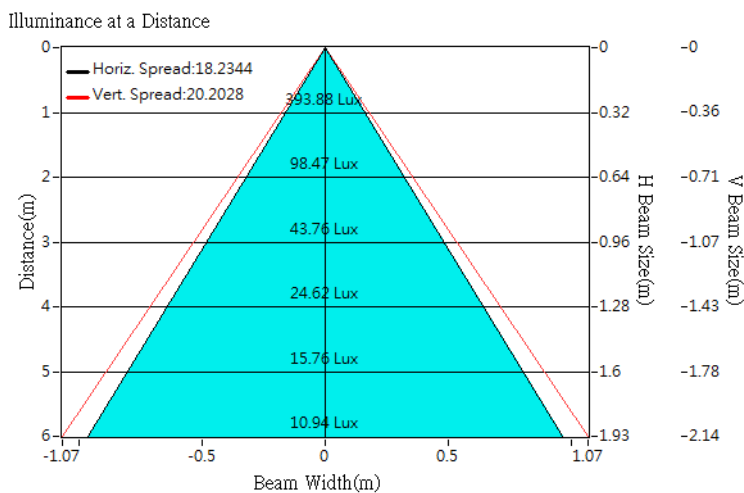
## Optical Characteristics

Model Number	CKO-SW17-025011-1705	
LED	<b>SSL 80</b>	
LES / LED Size	3.0 x 3.0	
FWHM (D50)	18°x20°	
Tilt Angle	2°	
Dimension	Φ =25x25 mm, Thickness=10.9 mm	
Luminous Flux	87.3 lm	Measured @ 1.1 W
Material	PC / UL94V2	

## cd/klm



## Illuminance At Distances

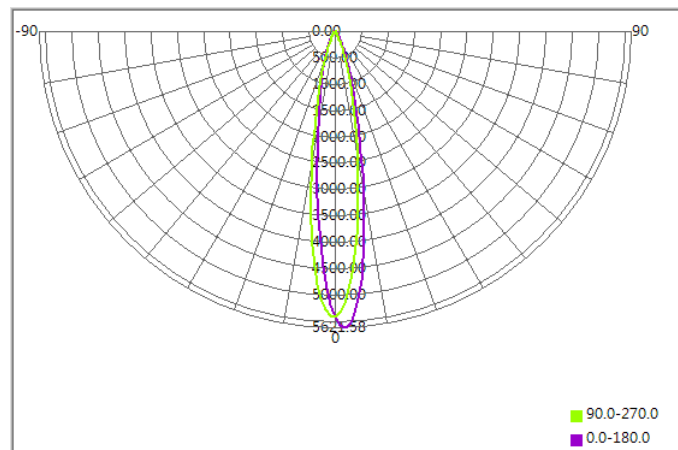




## Optical Characteristics

Model Number	CKO-SW17-025011-1705	
LED	<b>Oslon Square</b>	
LES / LED Size	3.0 x 3.0	
FWHM (D50)	17°x18°	
Tilt Angle	2°	
Dimension	Φ =25x25 mm, Thickness=10.9 mm	
Luminous Flux	82.9 lm	Measured @ 1.1 W
Material	PC / UL94V2	

## cd/klm



## Illuminance At Distances

