

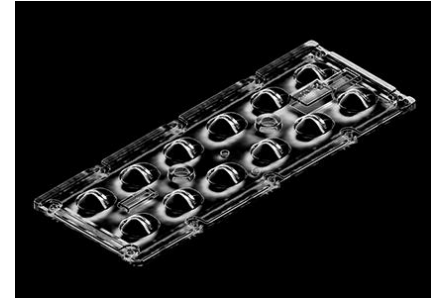


## Product Model Number

**CKO-TM17-163062-0620**

### ✓ Model Number Definitions

**CKO-XXXX-XXXXXX-XXXX**

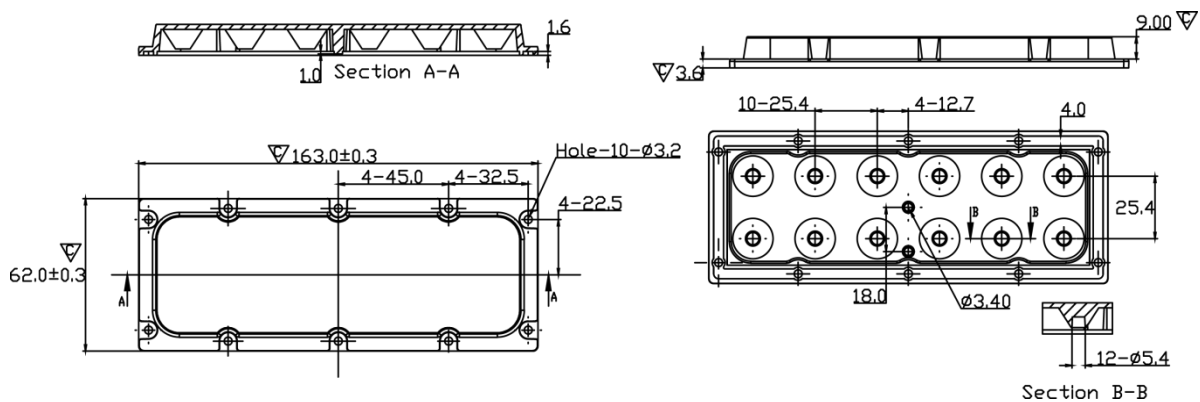


- A. Chun Kuang Optics Corp. Product
- B. Product Type: product abbreviation  
Ex:  
CH→CoB High Intensity  
CC→CoB Compact  
CS→Soft Shading for CoB LED  
HC→Holder for CoB LED

- C. Identity Code
- D. Lens / Fixture Size  
Ex: 075026=Φ75mm / Thickness=26mm (round up)
- E. Serial Numbers

The lens datasheet is applicable for **CREE LED**, that manufactured by Chun Kuang Optics Corp.

### ✓ Dimensions (mm) : 163 x 62 x 12.6



▽:Critical Dimension

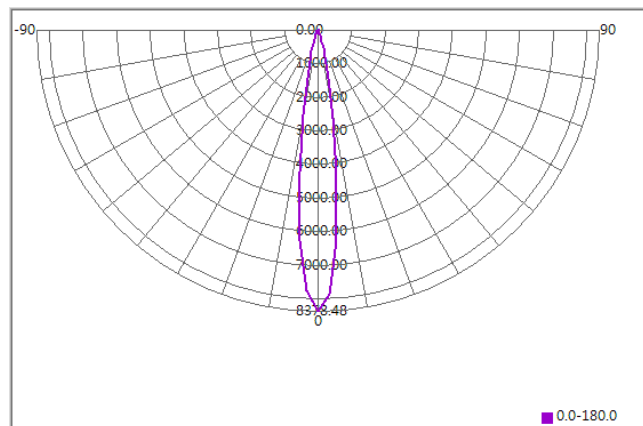




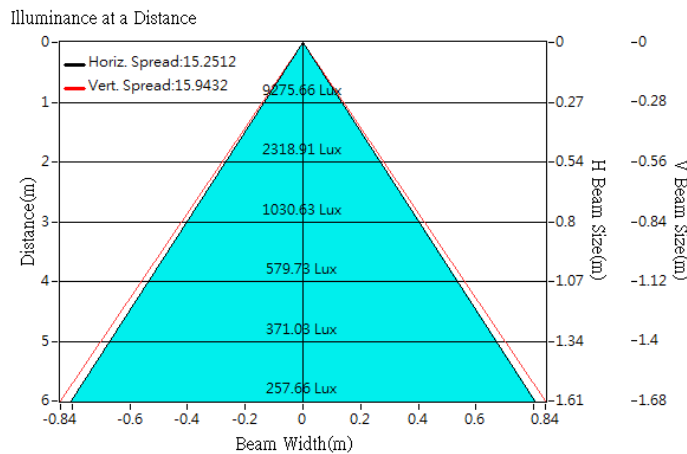
## Optical Characteristics

|                |                      |                  |
|----------------|----------------------|------------------|
| Model Number   | CKO-TM17-163062-0620 |                  |
| LED            | <b>XP-G3</b>         |                  |
| LES / LED Size | 3.5 x 3.5            |                  |
| FWHM (D50)     | 15°                  |                  |
| Roadway Class  | High Mast            |                  |
| Dimension      | 163 x 62 x 12.6 mm   |                  |
| Luminous Flux  | 1107 lm              | Measured @ 6.5 W |
| Material       | PC / F1              |                  |

## cd/klm



## Illuminance At Distances

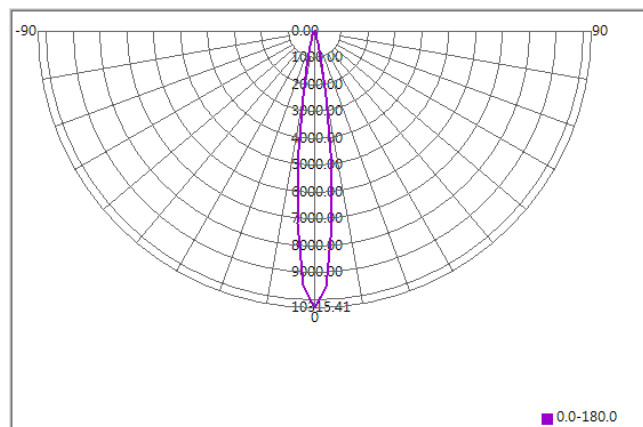




## Optical Characteristics

|                |                      |                  |
|----------------|----------------------|------------------|
| Model Number   | CKO-TM17-163062-0620 |                  |
| LED            | XP-G2                |                  |
| LES / LED Size | 3.5 x 3.5            |                  |
| FWHM (D50)     | 13°                  |                  |
| Roadway Class  | High Mast            |                  |
| Dimension      | 163 x 62 x 12.6 mm   |                  |
| Luminous Flux  | 1054 lm              | Measured @ 6.7 W |
| Material       | PC / F1              |                  |

## cd/klm



## Illuminance At Distances

