



## Product Model Number

CKO-ZU15-045011-9501

### ✓ Model Number Definitions

**CKO-XXXX-XXXXXX-XXXX**

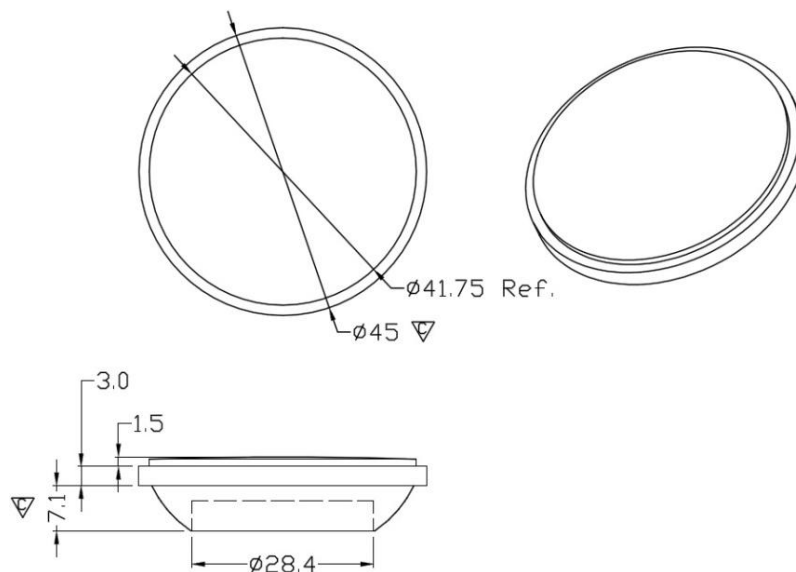


- A. Chun Kuang Optics Corp. Product
- B. Product Type: product abbreviation  
Ex:  
CH→CoB High Intensity  
CC→CoB Compact  
ZU→Multi-Angle Zooming Lens  
HC→Holder for CoB LED

- C. Identity Code
- D. Lens / Fixture Size  
Ex: 075026=Φ75mm / Thickness=26mm (round up)
- E. Serial Numbers

The lens datasheet is applicable for **Bridgelux LED**, that manufactured by Chun Kuang Optics Corp.

### ✓ Dimensions (mm) : Φ45 x 11.6



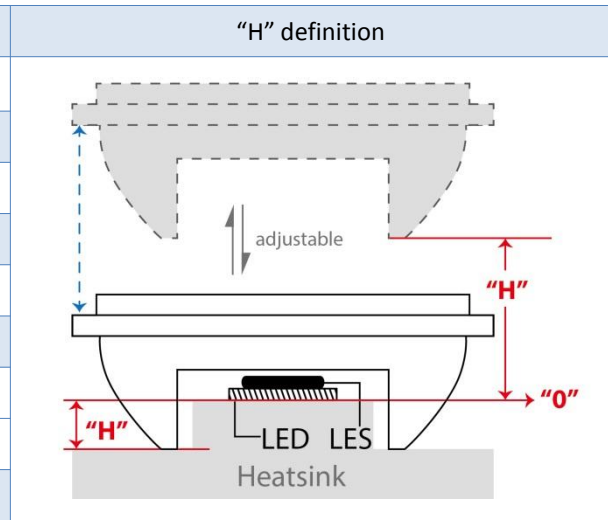
▽:Critical Dimension



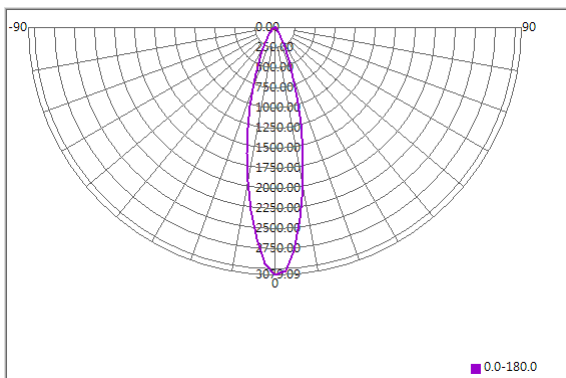


## Optical Characteristics

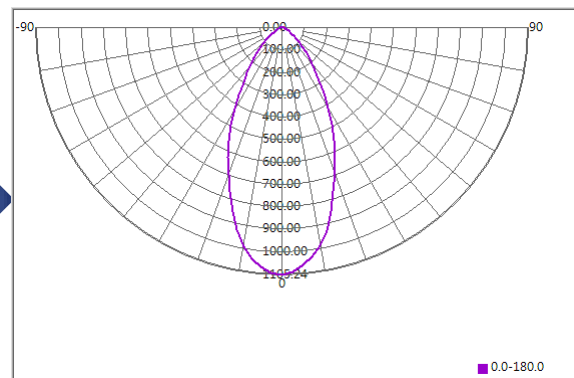
Model Number	CKO-ZU15-045011-9501
LED	<b>VERO10</b>
LES / LED Size	Φ 9.9 mm
FWHM (D50)	26°-50°
Field Angle (D10)	56°-98°
H (distance)	1.7 mm~ -1.8mm
Dimension	Φ =60 mm, Thickness=13 mm
Luminous Flux	590 lm ~ 604 lm (26°-50°) Measured @ 9.2 W
Material	PC / UL94V2



## cd/klm

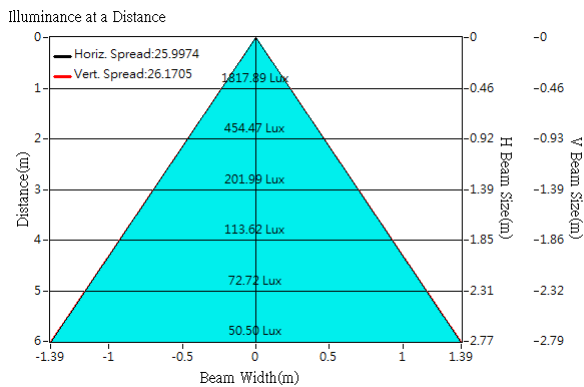


**H: 1.7 mm**

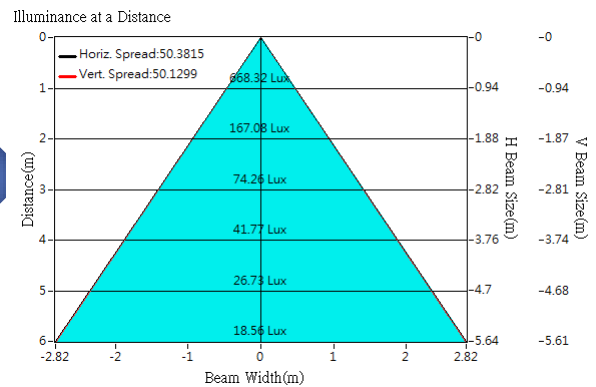


**H: -1.8 mm**

## Illuminance At Distances



**H: 1.7 mm**



**H: -1.8 mm**