



Product Model Number

CKO-ZU15-060013-9401

✓ Model Number Definitions

CKO-XXXX-XXXXXX-XXXX

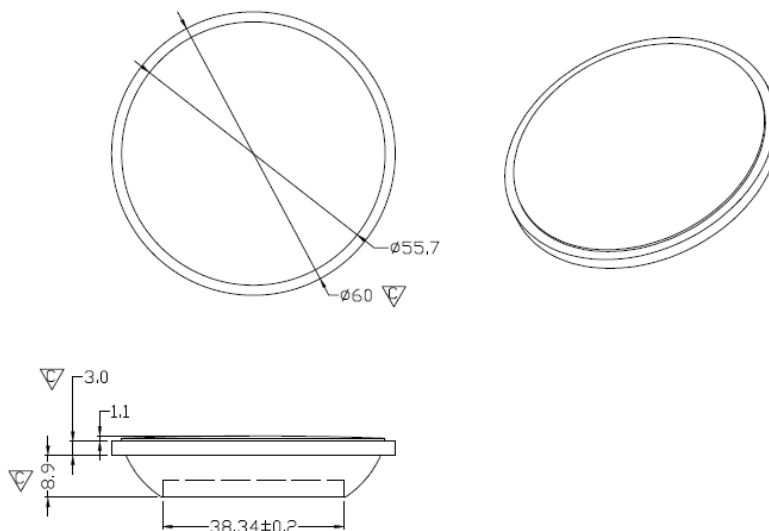


- A. Chun Kuang Optics Corp. Product
- B. Product Type: product abbreviation
Ex:
CH→CoB High Intensity
CC→CoB Compact
ZU→Multi-Angle Zooming Lens
HC→Holder for CoB LED

- C. Identity Code
- D. Lens / Fixture Size
Ex: 075026=Φ75mm / Thickness=26mm (round up)
- E. Serial Numbers

The lens datasheet is applicable for **TRIDONIC LED**, that manufactured by Chun Kuang Optics Corp.

✓ Dimensions (mm) : Φ60 x 13

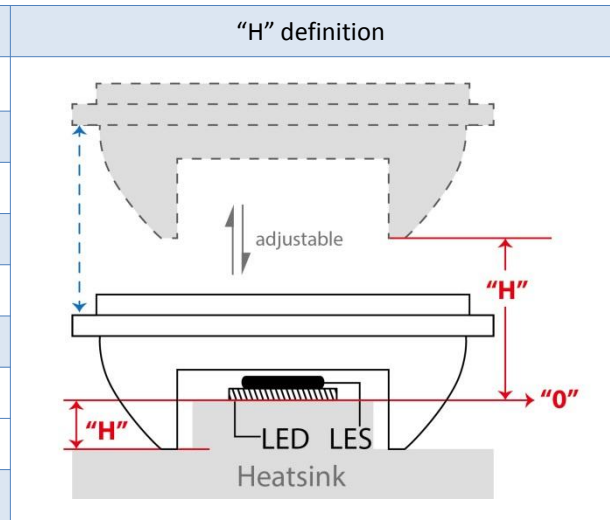


▽:Critical Dimension

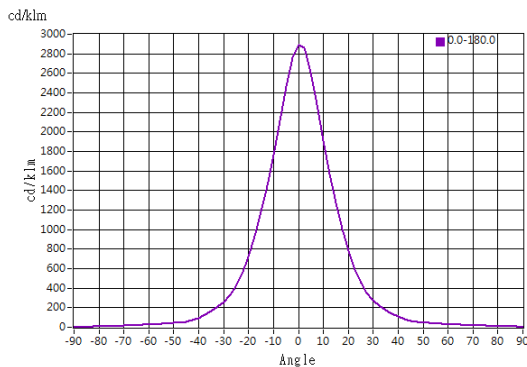


Optical Characteristics

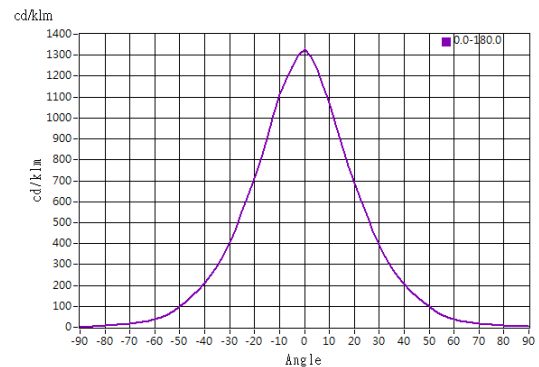
Model Number	CKO-ZU15-060013-9401
LED	SLE G7 13mm 3000lm 930 R ADV
LES / LED Size	Φ 13 mm
FWHM (D50)	26°-42°
Field Angle (D10)	59°-93°
H (distance)	1.5mm~1.8mm
Dimension	Φ =60 mm, Thickness=13 mm
Luminous Flux	2126 lm ~ 2167 lm (26°-42°) Measured @ 17.9 W
Material	PC / UL94V2



cd/klm

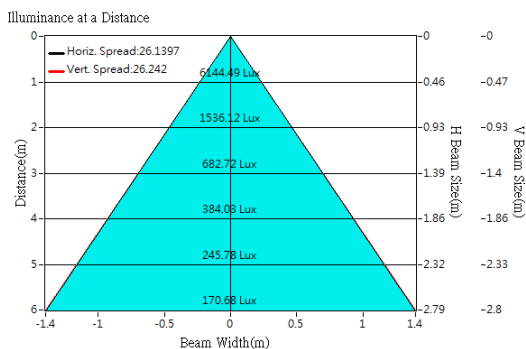


H: 1.5 mm

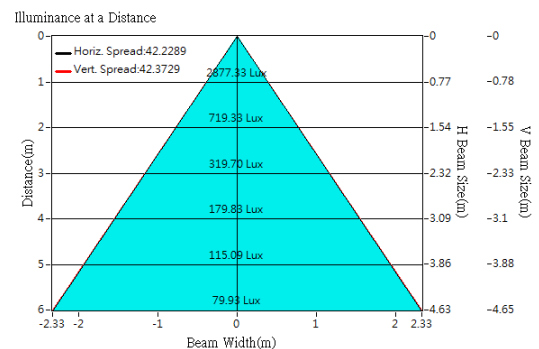


H: -1.8 mm

Illuminance At Distances



H: 1.5 mm



H: -1.8 mm