



## Product Model Number

CKO-ZU15-075017-9701

### ✓ Model Number Definitions

**CKO-XXXX-XXXXXX-XXXX**

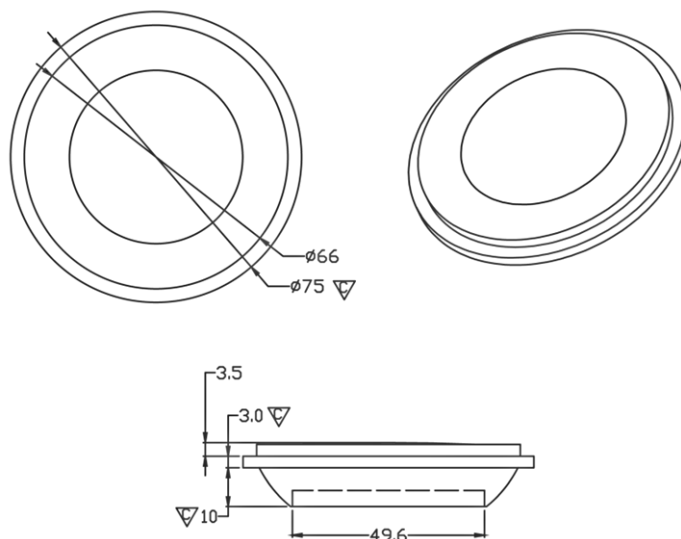


- A. Chun Kuang Optics Corp. Product
- B. Product Type: product abbreviation  
Ex:  
CH→CoB High Intensity  
CC→CoB Compact  
ZU→Multi-Angle Zooming Lens  
HC→Holder for CoB LED

- C. Identity Code
- D. Lens / Fixture Size  
Ex: 075026=Φ75mm / Thickness=26mm (round up)
- C. Serial Numbers

The lens datasheet is applicable for **Luminus LED**, that manufactured by Chun Kuang Optics Corp.

### ✓ Dimensions (mm) : Φ75 x 16.5



▽:Critical Dimension



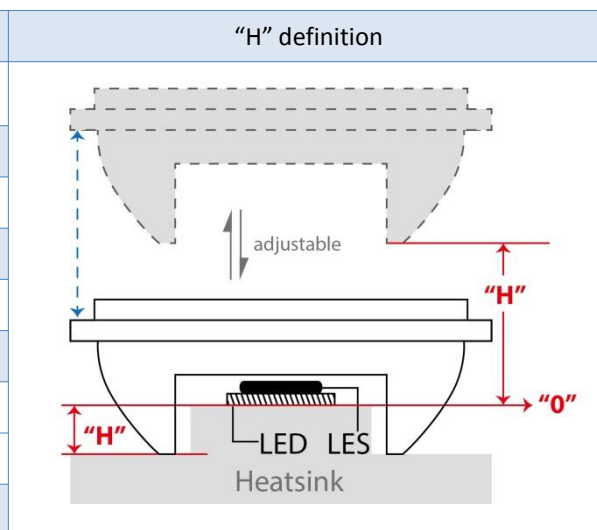
✓ **Optical Characteristics – Angle Performances**

<b>Luminus</b>	<b>LED LES (mm)</b>	<b>FWHM (degrees)</b>	<b>Field Angle (degrees)</b>
CLM-14-30-80-36-AC40CLM-14	Φ14.5	22°-53°	47°-96°

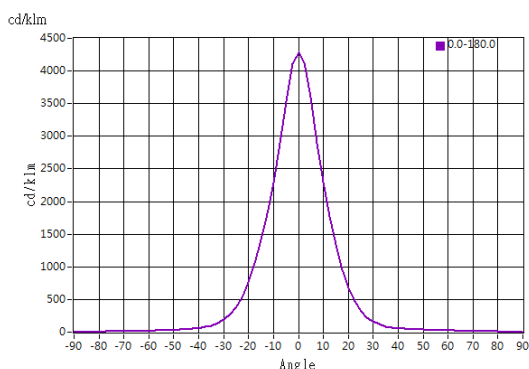


## Optical Characteristics

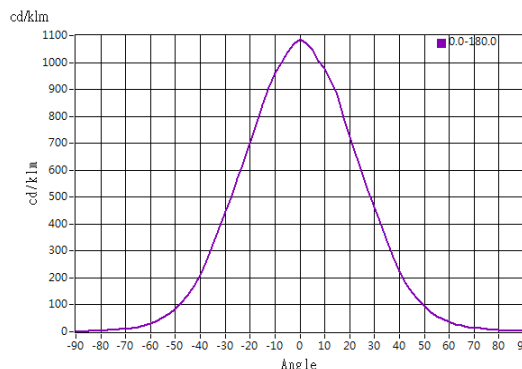
Model Number	CKO-ZU15-075017-9701
LED	<b>CLM-14-30-80-36-AC40</b>
LES / LED Size	Φ 14.5 mm
FWHM (D50)	22°-53°
Field Angle (D10)	47°-96°
H (distance)	4.5mm~-1.8mm
Dimension	Φ =75 mm, Thickness=16.5 mm
Luminous Flux	2600 lm ~ 2682 lm (22° ~ 53°) Measured @ 17.3 W
Material	PC / UL94V2



## cd/klm

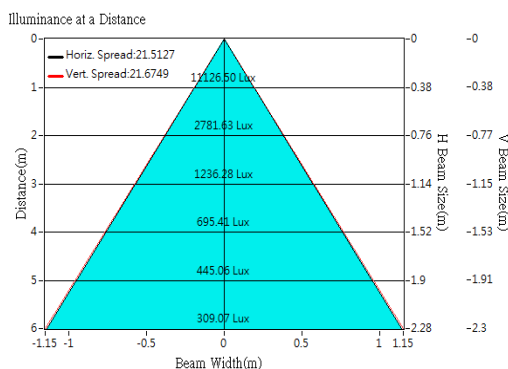


H: 4.5 mm

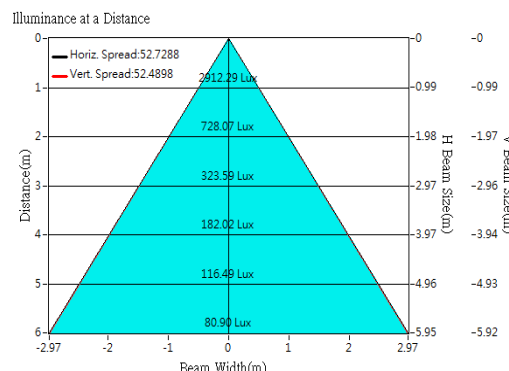


H: -1.8 mm

## Illuminance At Distances



H: 4.5 mm



H: -1.8 mm